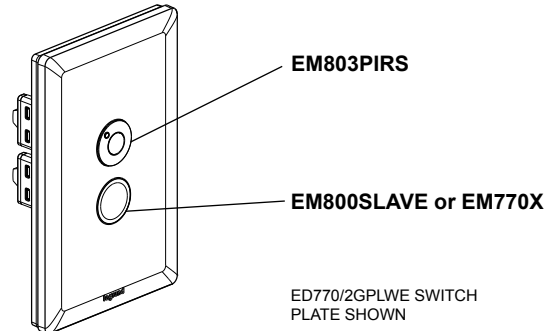


- There are 2 models as follows (see “Operation” for more details):

EM803PIR	Basic model with Auto Mode only.
EM803PIRS	Advanced model with Auto and Manual Override Modes and user-selectable LED indicator colour.

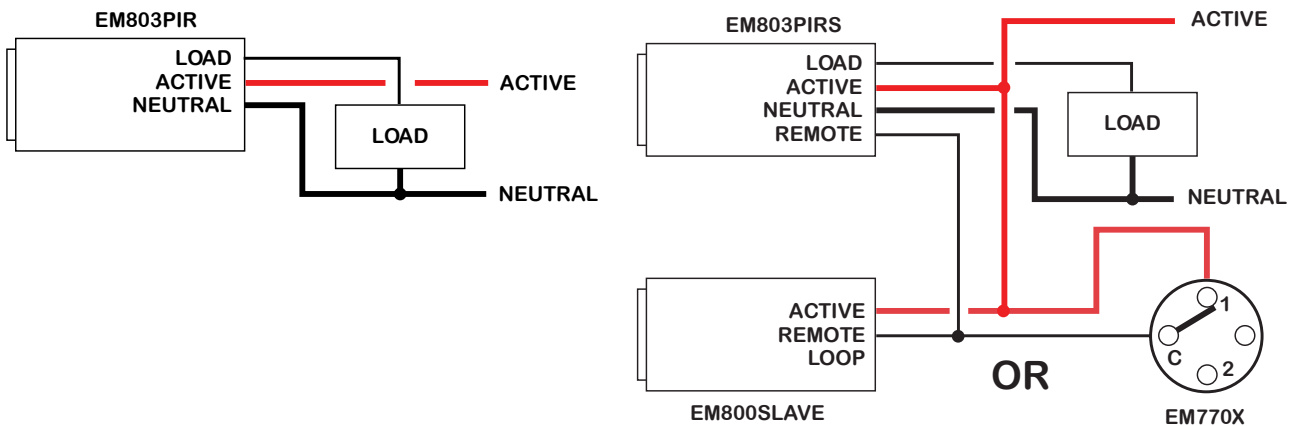
- To access the additional features on the EM803PIRS model, it should be installed together with an additional push button EM800SLAVE or EM770X (not included) as shown in the image below. Please see “Wiring” for the connections between the two modules



Technical characteristics

 + 50°C + 0°C 230 - 240V a.c. 50Hz	 1 x 2.5 mm ² 2 x 1.5 mm ²	Incandescent	Halogen	Fluorescent tube	Wirewound transformer	Electronic transformer	Compact Fluorescent	LED	Fan motor
Max load		1200W	1200W	500VA	500VA	500VA	500VA	500VA	500VA

Wiring



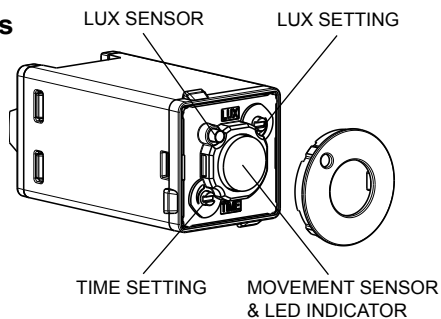
Operation

- **Auto Mode** – The load will turn on when movement is detected, and will stay on for a certain period of time after the last detected movement. The load will only turn on if the ambient light level is below a level set by the user (see “Lux Setting”). The time-out period is also set by the user (see “Time Setting”).
- **Manual Override Mode (EM803PIRS only)** – If the push button is pressed while the load is off, the load will turn on. If it is pressed while the load is on, the load will turn off. In both cases, the movement sensor will be disabled for 5 minutes. After the 5 minute period, the EM803PIRS will revert to Auto Mode.

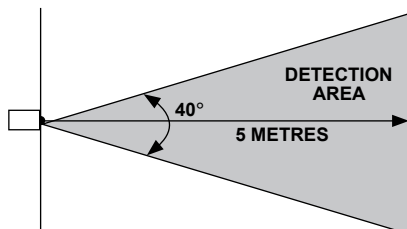
LED Indicator

- When power is first applied, the LED indicator will flash red, blue and purple for 5 seconds during the warm-up period before normal operation commences.
- The LED indicator will turn on while the load is on, and off while the load is off. When the load is already on, the LED indicator will blink momentarily if additional movement is detected. During the last 30 seconds before the timer expires, the LED indicator will flash quickly. If the time setting is set to less than 30 seconds, the LED indicator will start flashing as soon as the load turns on.
- For EM803PIR, the LED indicator colour is always red.
- For EM803PIRS, the LED indicator colour is red by default, but it can be toggled between red and blue by pressing and holding the push button for 10 seconds.

User Controls



Movement Sensor Range



- The above diagram applies to both horizontal and vertical planes

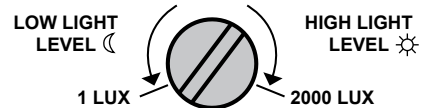
Warranty

Legrand will honour all statutory guarantees that you as a consumer are entitled to rely upon under the Australian and New Zealand Consumer Law against a manufacturer including a guarantee that any products Legrand has manufactured or imported are of acceptable quality.

To make a claim under any statutory guarantee (or other warranty) you should first contact the supplier, contractor or retailer from whom you purchased the products.

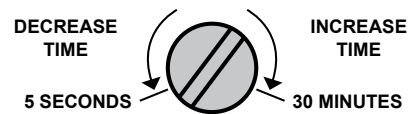
Lux Setting

- In Auto Mode, the movement sensor will only operate when the ambient lux level is below the threshold level set by the user. This is to prevent the load from coming on unnecessarily when there is sufficient light in the room.
- To adjust the threshold level, turn the Lux Setting knob using a small flat-head screwdriver. For a lower threshold level turn anticlockwise, and for a higher threshold level turn clockwise. For example, for the movement sensor to operate all the time (in normal daylight levels), turn fully clockwise.
- The threshold level can be adjusted between 1 lux and 2000 lux (figures are approximate only).



Time Setting

- When the load turns on in Auto Mode, it will remain on for a set period of time after the last movement is detected.
- To change this time period, turn the Time Setting knob using a small flat-head screwdriver. For a shorter time turn anticlockwise, and for a longer time turn clockwise.
- The time period can be adjusted between 5 seconds and 30 minutes (figures are approximate only).



Important Information

- This product must be installed and used as per these instructions.
- This product must be installed by a licensed electrician.
- This product must only be used with the loads specified. Other load types should only be used when written confirmation is given by Legrand.
- Severe electromagnetic interference from other products may cause malfunction of this product.
- This product should only be cleaned with a damp cloth. Cleaning agents and solvents should not be used.
- This product contains no serviceable parts and no attempt should be made to repair this product. If the product is faulty it should be discarded.
- Legrand reserves the right to modify the specifications of this product at any time.

WARNING – DO NOT MEGGER THIS PRODUCT

Customer Service

For all Customer Service and Technical Support please call Monday to Friday during business hours.

Legrand Australia
1300 369 777
www.legrand.com.au

Legrand New Zealand
0800 476 009
www.legrand.co.nz

ABN: 31 000 102 661